

# ROBUS<sup>®</sup>

**VEGAS COB 14W/M, 24V, LED STRIP LIGHT,  
3000K/4000K, IP20, 20M**

**RVA14COB20-30      RVA14COB20-40**

**PLEASE READ INSTRUCTION BEFORE COMMENCING INSTALLATION AND RETAIN FOR FUTURE REFERENCES.**

**! Electrical products can cause death or injury, or damage to property. If in any doubt about the installation or use of this product, consult a competent electrician**

**Note:**

**Product technical information and specification may change over time without prior notification. For the latest technical information please visit our web site [www.robus.com.au](http://www.robus.com.au) and [www.robusled.co.nz](http://www.robusled.co.nz)**

-20°C < Ta < +40°C, DC 24V, Class III, IP20  
Suitable for mounting on a normally flammable surface.

## Installation

1. Ensure mains supply is switched off before commencing work.
2. Cut the LED strip to the required length at the locations marked on the strip.
3. Connectors are used to connect power or to join the LED strip, please select the most appropriate connector. The connector is marked with black and red wires, which will correspond with “-“ and “+“ on the LED strip. Attach connector to strip (RVACOB-C!): Insert strip and wired connector part into transparent connector (as per fig. 2) . Ensure the correct pin sequence is connected to the strip. Move tabs to upright position and ensure that the connect is secure. Place heat shrink over connection, apply heat and ensure the joint is secure.
3. Mounting the Strip: Self-adhesive strip: Remove the protective film to reveal adhesive strip. Place the strip onto the desired location and press down firmly. Ensure the strip is secure.
5. Please see installation diagram and choose the most suitable installation method.  
Note: When connected in series it is not possible to extend the strip to lengths longer than 5m. However, strips may be connected in parallel up to the max rating of the power supply used
6. Connect the strips to the driver (choose the correct 24V driver based on the length of the strip).
7. When attaching the connector to the LED strip ensure that wiring sequence is correct and that the strip is secure
8. Care must be taken to ensure the correct wiring sequence.

**Note: Please take care not to damage the LEDs, during installation.**

### Accessories:

RVACOB-C: The connector of strip to strip without wire.

RVACOB-C1: The connector of strip to driver with wire.

RVACOB-C2: The connector of strip to strip with wire.



**The Installation must be carried out by a qualified electrician**

LED Group Australia Pty Limited

Suite B, 2 Pittwin Road

Capalaba

Queensland 4157

Australia

Tel: 07 3890 5444

Fax: 07 3890 4777

Email: [purchases@robus.com](mailto:purchases@robus.com)

Website: [www.robus.com.au](http://www.robus.com.au)

LED Group

Crowe Hogwarth

72 Trafalgar Square

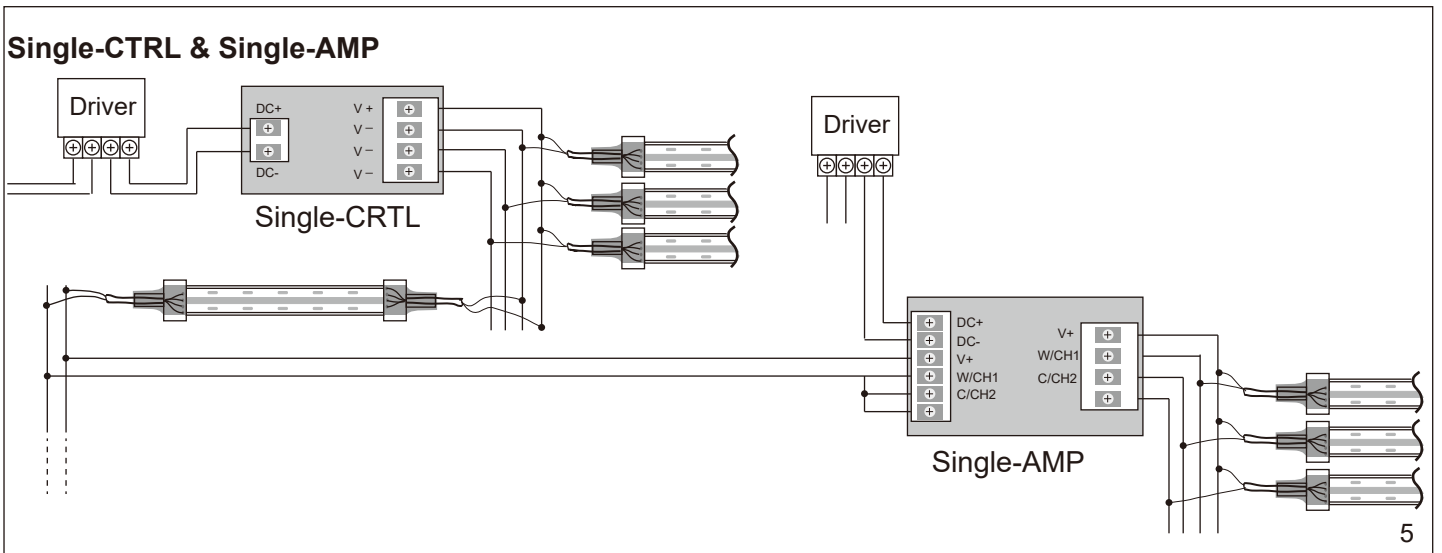
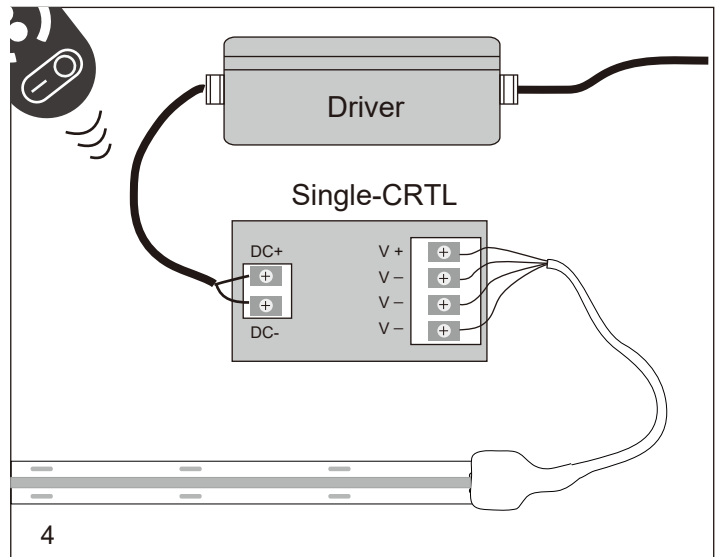
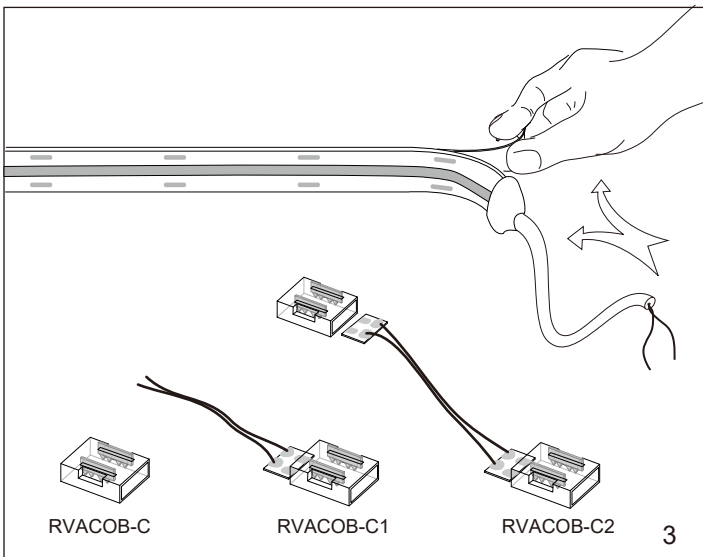
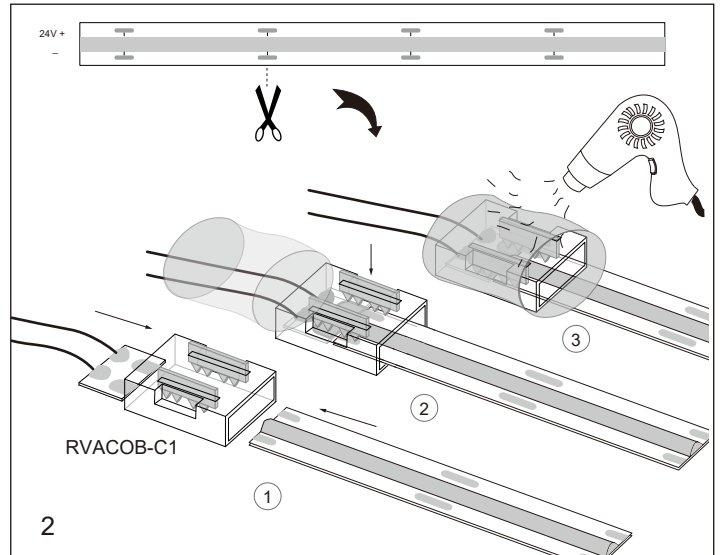
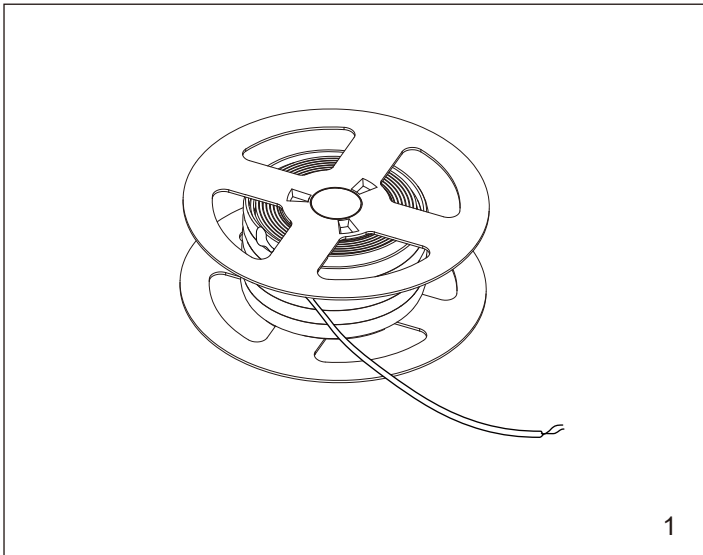
NELSON 7010

New Zealand

Tel: +64 3668 5285

Email: [nz\\_purchases@robus.com](mailto:nz_purchases@robus.com)

Website: [www.robusled.co.nz](http://www.robusled.co.nz)



**The Installation must be carried out by a qualified electrician**

LED Group Australia Pty Limited  
 Suite B, 2 Pittwin Road  
 Capalaba  
 Queensland 4157  
 Australia  
 Tel: 07 3890 5444  
 Fax: 07 3890 4777  
 Email: [purchases@robus.com](mailto:purchases@robus.com)  
 Website: [www.robus.com.au](http://www.robus.com.au)

LED Group  
 Crowe Hogwarth  
 72 Trafalgar Square  
 NELSON 7010  
 New Zealand  
 Tel: +64 3668 5285  
 Email: [nz\\_purchases@robus.com](mailto:nz_purchases@robus.com)  
 Website: [www.robusled.co.nz](http://www.robusled.co.nz)