

DALLAS 30W LED PANEL, 4000K, 300X1200, LOW FLICKER, WHITE, C/W FLEX AND PLUG

RDL30403012F-01

PLEASE READ INSTRUCTION BEFORE COMMENCING INSTALLATION AND RETAIN FOR FUTURE REFERENCES.

! Electrical products can cause death or injury, or damage to property. If in any doubt about the installation or use of this product, consult a competent electrician

Note:

Product technical information and specification may change over time without prior notification. For the latest technical information please visit our web site [www.robus.com.au](http://www.robus.com.au) and [www.robusled.co.nz](http://www.robusled.co.nz)

-20°C < Ta < +40°C, 220-240V~50/60Hz, Class II, IP20

Luminaire is non-dimmable

Suitable for mounting on a normally flammable surface.

Driver must never be "hot-plugged" or connected to the fitting when live.

Doing this may damage the fitting and will void the warranty.

### Installation

1. Ensure mains supply is switched off before commencing work.
2. Remove 1200 x 300mm tile from ceiling.
3. Ensure the area above the fitting is free from obstacle pipes cable tray etc.
4. Connect AU plug to AC supply socket.
5. Ensure the connections going to and from the driver are secure.
6. Place connector, drivers and cable into the ceiling void.
8. Offer luminaire up to the ceiling void and manoeuvre into final position similar to standard ceiling tile.

This product has no user serviceable parts. If any part is damaged, disconnect from mains and discontinue use.

### Safety Instructions:

#### Warning:

Luminaire marked as NON-IC according to AS/NZS60598-2.2. Not suitable for use on residential properties.

DO NOT COVER OR ABUT. Any insulation material must be positioned at a minimum distance of 100 mm from the fitting.

#### Caution:

Recessed Luminaires may pose an increased risk of fire or property damage if not installed according to the instructions provided.

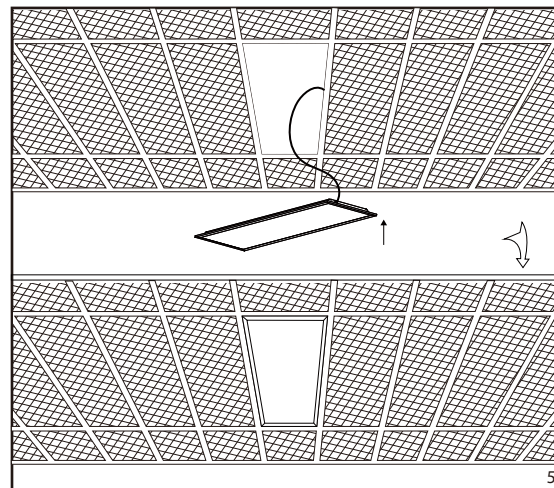
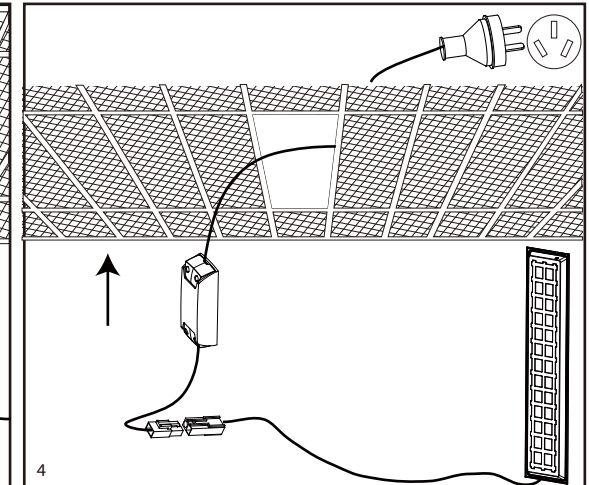
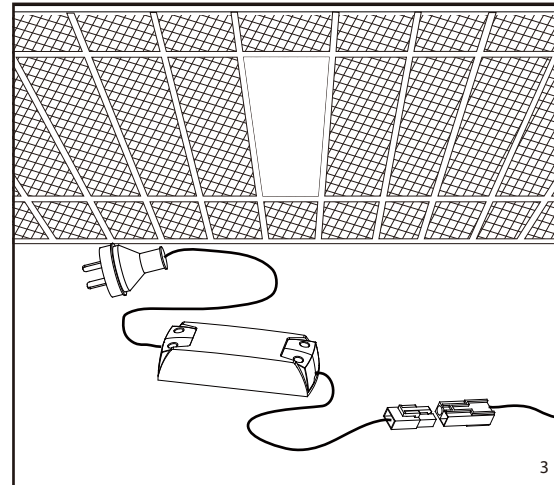
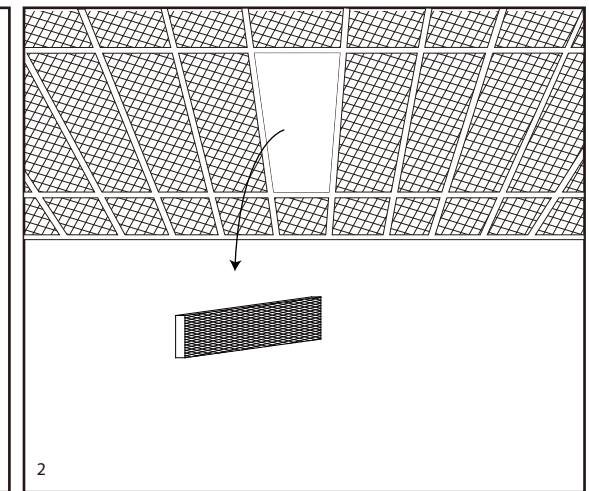
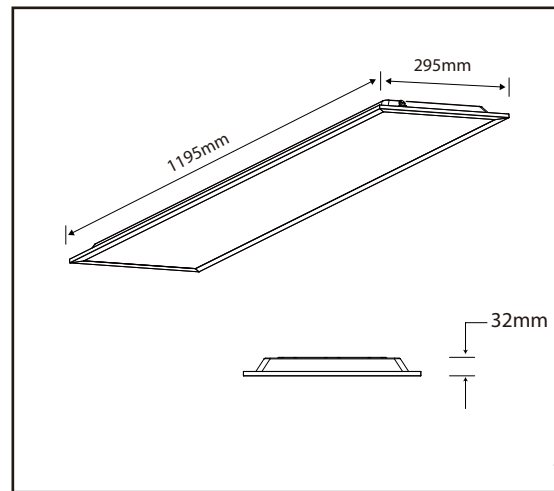
The Installation must be carried out by a qualified electrician

LED Group Australasia  
9/210 Queensport Road North  
Murarrie  
QLD 4172  
Australia

Tel: 07 3890 5444  
Fax: 07 3890 4777  
Email: [purchases@robus.com](mailto:purchases@robus.com)  
Website: [www.robus.com.au](http://www.robus.com.au)

LED Group  
Crowe Hogwarth  
72 Trafalgar Square  
NELSON 7010  
New Zealand

Tel: +64 3668 5285  
Email: [nz\\_purchases@robus.com](mailto:nz_purchases@robus.com)  
Website: [www.robusled.co.nz](http://www.robusled.co.nz)



**DANGER - RISK OF FIRE**  
- Shall not be installed in residential premises  
SCI = 100mm MIC = 100mm  
SCB = 50mm HCB = 25mm

