

## DAME 2.5W Non-Maintained, LED Emergency Downlight, Self-test

Available in black or white, the Dame Non-Maintained LED emergency downlight utilises the latest Energy efficient LED's, Automatic Emergency Self-Test functionality and Lithium Ferro-Phosphate battery technology to provides reliable emergency lighting when required to comply with Australia and New Zealand stringent AS2293 standards



### Applications:

- Offices
- Public buildings
- Hotels, bars and clubs, restaurants
- Schools
- Health centres, hospitals
- Retail premises

### Construction:

White/Black Polycarbonate Housing & Trim  
Steel retaining springs  
Aluminium/FR-4 composite PCB Material

### Features and Benefits:

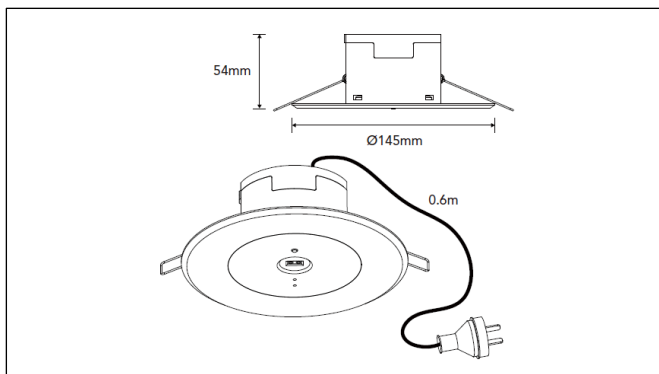
- Utilising the latest LiFePo4 battery technology means that this great new fitting is fast charge for shorter commissioning time and is slow discharge when not connected to mains. It also has a high number of charge/discharge cycles which means the batteries last many times longer than traditional types with a long emergency light output to easily comply with AS2293
- The fitting is pre-wired with a standard plug-top so is a simple connection to the mains for a fast, low cost installation
- It is a non-maintained fitting so doesn't contrast normal lighting aesthetics and only illuminates on power failure
- It has a slim bezel so provides a neat flush to the ceiling, attractive aesthetic
- An extension ring makes the fitting ideal for retro-fit where there are larger existing cut-outs or the hole has been poorly cut and provides installation for cut-outs of Ø 76-125mm
- A symbol on the face of the fitting makes it easy to identify that it is an emergency fitting
- Integral automatic self-test functionality provides regular 15s monthly and 90m, 6 monthly test routines to comply with the emergency lighting regulations AS2293. This reduces the costs associated with hiring R&M companies to do the testing and also reduces the on-site wiring time and costs
- Integral battery and control gear mean there is no separate gear to house or install
- The fitting uses minimal power, 2.5 watts, so reduces battery drain for longer operation and provides an energy efficient, low CO<sub>2</sub> installation
- The fitting is equipped with a green LED which shows the mains supply is OK and charging
- A yellow status LED provides visual indication of either:
  - No fault when extinguished
  - Slow flash signifying a test is being or has been carried out
  - Fast flash which means there is a battery fault
- It also has a test button which allows for additional manual test outside of the automatic regime
- High quality independently tested LM80 & TM21 LED's ensure the fitting will provide long life with low light depreciation over time
- High lumen output also reduces the quantity of fittings needed to comply with lux level requirements of the regulations
- The Dame is a category D40 emergency product which allows the correct spacings to be quickly calculated to enable the emergency lighting to comply with AS2293
- Importantly, the fitting is IC rated which allows insulation to be laid over. This prevents cold spots forming where insulation might otherwise need to be removed

## EMERGENCY

# ROBUS®

### DAME 2.5W Non-Maintained, LED Emergency Downlight, Self-test

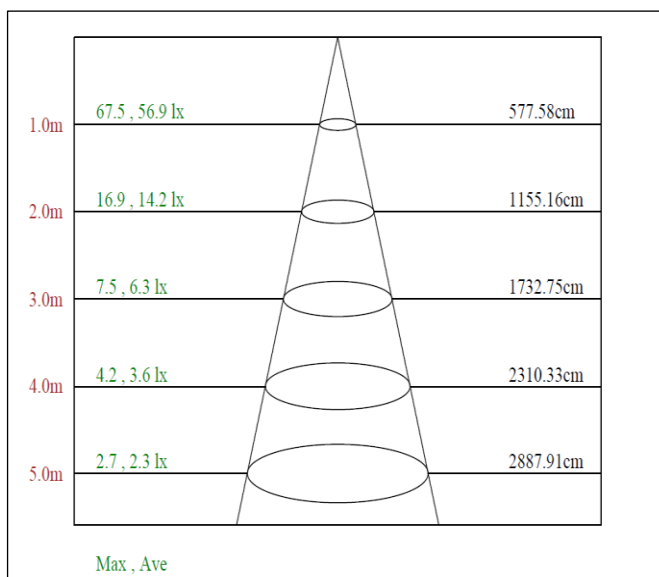
| Product Code                           | White:<br>Black: | RDA25NMEST-01<br>RDA25NMEST-04 |
|--|------------------|--------------------------------|
| Total Power (W):                       |                  | 2.4                            |
| Emergency Mode Light Output (lm):      |                  | 240                            |
| Emergency Mode Illuminance at 1m (lx): |                  | 60                             |
| Beam Angle (deg):                      |                  | 150                            |
| CCT (K):                               |                  | 5,700                          |
| CRI (Ra):                              |                  | 70                             |
| Luminaire Warranty (yrs):              |                  | 3                              |
| Battery Warranty (yrs):                |                  | 3                              |
| Rated Life (hrs):                      |                  | 30,000                         |
| Ingress Protection (IP):               |                  | 20                             |
| Operating Temperature (°C):            |                  | 0 ≤ Ta ≤ +40                   |
| Operating Voltage (Vac):               |                  | 220-240                        |
| Power Factor (PF):                     |                  | 0.4                            |
| Diameter (mm):                         |                  | 85/145                         |
| Cut out (mm):                          |                  | 76/125                         |
| Depth (mm):                            |                  | 54                             |
| Projection (mm):                       |                  | 3                              |
| Box Qty:                               |                  | 1                              |
| Weight (kg):                           |                  | 0.3                            |



#### Standards & Approvals:

Complies with: SAA & RCM

#### Cone Illuminance Diagram:



#### Polar Intensity Diagram:

