

DUKE LED BATTEN, CCT SELECTABLE, NON-DIMMABLE, MW SENSOR WITH 3-STEP DIMMING, EMERGENCY

This new range of DUKE three colour temperature selectable LED battens are available in lengths of 0.6m and 1.2m. Integral Microwave sensor versions are also available to save energy with reduced running costs and ease of installation. Integral emergency options complete the range to ensure adequate lighting is available when power fails to safely traverse the building, without the need and cost of separate dedicated emergency lighting.



Operation of programmable MW sensor with 3-Step Dimming:
 Please note that the MW sensor version is has default settings highlighted in the data table. Extended settings are accessed using the remote control/programmer accessory. On detection of movement the sensor switches the driver to full output. After no detection and a selectable hold time, the sensor reduces driver output to selectable standby light level for a selectable standby time. The sensor then turns power to the driver off. Standby time can be infinity, so the light doesn't go to off.

Applications:

- Commercial building offices, corridors & stairways, canteen and rest areas, stationary & print rooms
- Retail shops, hotels, Restaurants
- Health centres, Schools and Colleges

Construction:

White powder coated steel housing with PC end caps & trim
 Polycarbonate diffuser
 Galvanized steel screws
 Aluminium, FR-4 PCB Material

Features and Benefits:

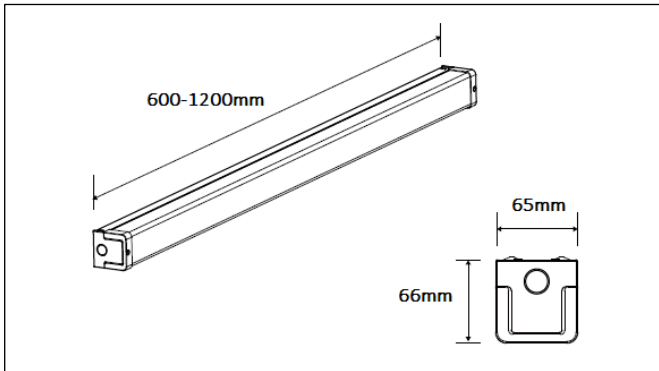
- There's a full range of lengths, wattages and lumen packages to provide a solution for most applications
- Integral Microwave sensor version with 3-step dimming function primarily saves energy, but also saves wiring time and often difficulty of wiring in external sensors
 Standby light function ensures that people not within the sensor detection zone, are warned of impending lights off by going into a selectable standby light level
 (Note: The remote control/programmer accessory is required to access additional parameters other than default settings)
- Integral emergency versions provide light on power failure to safely evacuate the area, reducing cost and difficulty of installation while retaining the same neat aesthetics
- An optional end mounted PIR and remote control/programmer is available which provides simple on/off control for additional energy savings when areas have enough natural light or are unoccupied
- The fittings utilise high quality SMD LED's to provide similar light outputs to fluorescent whilst using around 50% power to reduce the buildings Carbon Footprint
- IES LM80 and TM21 testing together with rigorous complete luminaire age testing ensure long life is assured with no costly failures through the LED rated life
- A selectable colour temperature of 3,000K, 4,000K and 6,500K provide the most appropriate light colour for the installation application, whilst high CRI makes them ideal for security cameras and providing clear task visibility
- Using a dedicated LED plate provides for cooler running and a more efficient solution than LED tubes which yield up to 30% less light and are prone to theft
- With an angular aesthetic these fittings provide a functional solution to compliment traditional batten solutions
- A steel body with polycarbonate end caps ensure strength and rigidity for mounting on uneven surfaces
- The fitting has a frosted diffuser which provides excellent light uniformity with reduced eye glare for a more comfortable working environment
- Double elongated keyhole mounting slots allow the fitting base to be mounted quickly
- Large terminals provide a loop-in, loop-out facility to other fittings on the same circuit
- Nylon support straps support the main LED body leaving two hands available for electrical connection
- Utilising solid-state lighting technology with no heat filaments or electrodes, they are less susceptible to failure due to building vibration caused by traffic or hot to cold temperature changes
- "Instant on" and no cool down period means they can be switched by microwave, PIR and/or photocell which provides even greater energy savings when lighting is not required. Short time switching reduces life of traditional light sources

DUKE LED BATTEN, CCT SELECTABLE, NON-DIMMABLE, MW SENSOR WITH 3-STEP DIMMING, EMERGENCY

Product Codes:	Non-Dimmable			Integral Microwave Sensor with 3-Step Dimming	
	Non-Emergency		Emergency	Non-Emergency	Emergency
	RDK2006CCT3-01	RDK4012CCT3-01	RDK4012CCT3E-01	RDK4012CCT3DP-01	RDK4012CCT3DPE-01
Comparable to:	2x18W T8	2x36W T8	2x36W T8	2x36W T8	2x36W T8
Total Power (W):	19.4/18.4/19.2	41.4/38.6/40.9	44.7/42.1/44.3	42.8/39.8/42.2	45.2/42.1/44.6
Total Light Output (lm):	2,040/2,360/2,340	4,080/4,820/4,760	4,170/4,990/4,920	4,190/4,920/4,840	4,160/4,920/4,910
Emergency Mode Light Output (lm):	NA	NA	350	NA	350
Efficacy (lm / cctW):	106/129/122	99/125/117	93/119/111	98/124/115	92/117/110
Rated Life (hrs):	50,000	50,000	50,000	50,000	50,000
Warranty (yrs):	5	5	5	5	5
Illuminance at 1m (lux):	510/590/580	1,010/1,190/1,170	1,030/1,230/1,220	1,040/1,220/1,190	1,040/1,220/1,210
Emergency Mode Illuminance at 1m (lx):	NA	NA	100	NA	100
Beam Angle (deg):	140 x 100	140	140	140	140
CCT (K):	3,000/4,000/6,500	3,000/4,000/6,500	3,000/4,000/6,500	3,000/4,000/6,500	3,000/4,000/6,500
CRI (Ra):	80	80	80	80	80
Ingress Protection (IP):	20	20	20	20	20
Impact Rating (IK):	08	08	08	08	08
Operating Temperature (°C):	-20 ≤ t ≤ +40	-20 ≤ t ≤ +40	-10 ≤ t ≤ +40	-20 ≤ t ≤ +40	-10 ≤ t ≤ +40
Output Current (mA):	480	1000	1000	1000	1,000
Operating Voltage (Vac):	220-240	220-240	220-240	220-240	220-240
Power Factor (PF):	0.95	0.95	0.95	0.95	0.95
Height (mm):	66	66	66	66	66
Length (mm):	600	1,200	1,200	1,200	1,200
Width (mm):	65	65	65	65	65
Box Qty:	1	1	1	1	1
Weight (kg):	1.32	1.7	2.1	1.8	2.2

Microwave sensor data (Default settings highlighted yellow)

Mounting Height (m):	2.5-3.5
Maximum Detection Range (m):	8
Lux switching point (lx):	Bespoke, Disabled, 10, 30, 50
Sensitivity (%):	20, 50, 75, 100
Hold Time (min):	10sec, 1, 5, 15, 30, 60
Standby light level (%):	10, 20, 30
Standby Time (min):	1, 30, 60, 24hr



Accessories:

- R360RC-01** Remote control/programmer for MW sensor
(Used to access extended default settings)
- R360PIR-01** Alternative on/off PIR sensor for standard
(Use above remote control/programmer)

Standards & Approvals:

Complies with: AS/NZS 60598, IEC 55015, CISPR 15, IEC 61000, IEC 62493, IEC 61547, IEC 62471, RCM

Cone Illuminance Diagram:

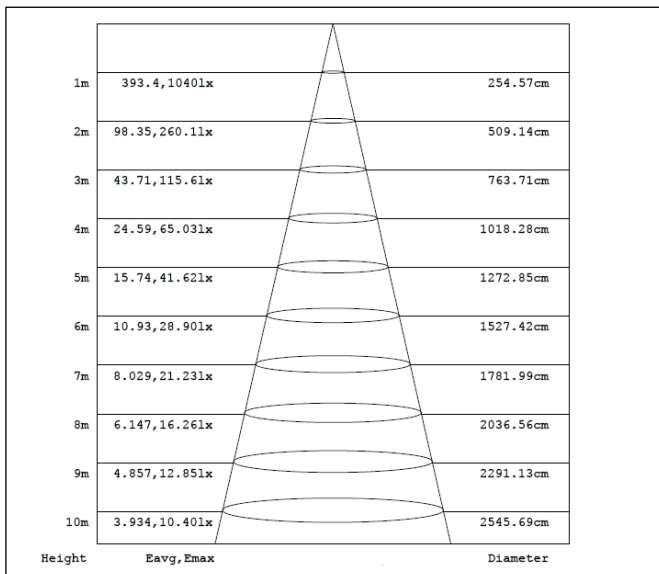


Diagram for RDK4012CCT3DPE-01 in 3,000K. Other diagrams available on request



Polar Intensity Diagram:

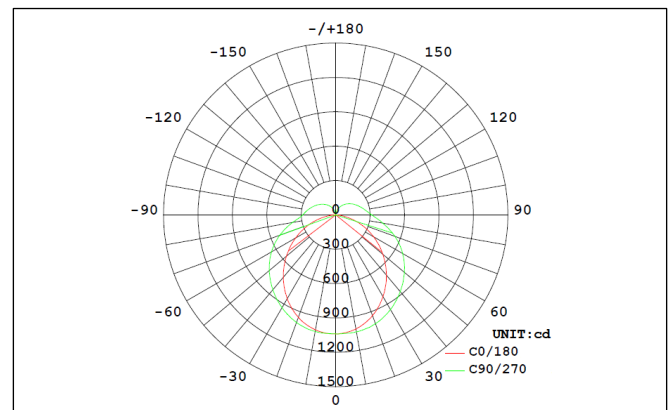


Diagram for RDK4012CCT3DPE-01 in 3,000K. Other diagrams available on request